

Cold Climate Heat Pump Water Heater

ccHPWH Series

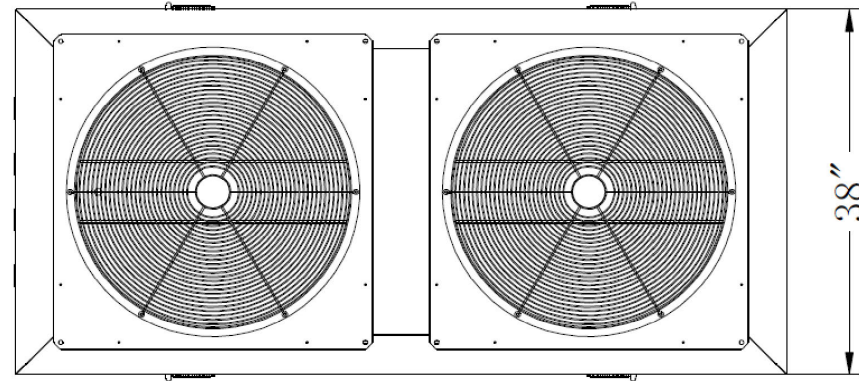
Ice Air's cold climate heat pump water heaters capture the free energy in the environment and convert it to hot water. These commercial water heaters are designed to provide domestic hot water to large buildings on the coldest days.

- Industry leading performance
 - Lower cost of operation and maintenance compared to condensing gas-fired water heaters
 - 4x more efficient compared to electric resistance heaters
- Multiple independent circuits provide built-in redundancy
- Double wall heat exchangers ensure occupant safety
- Optional single wall heat exchangers (for glycol applications)
- Freeze protection standard
- Optional heat-trace powered by building emergency power
- Clean out ports to remove sediment or lime deposits

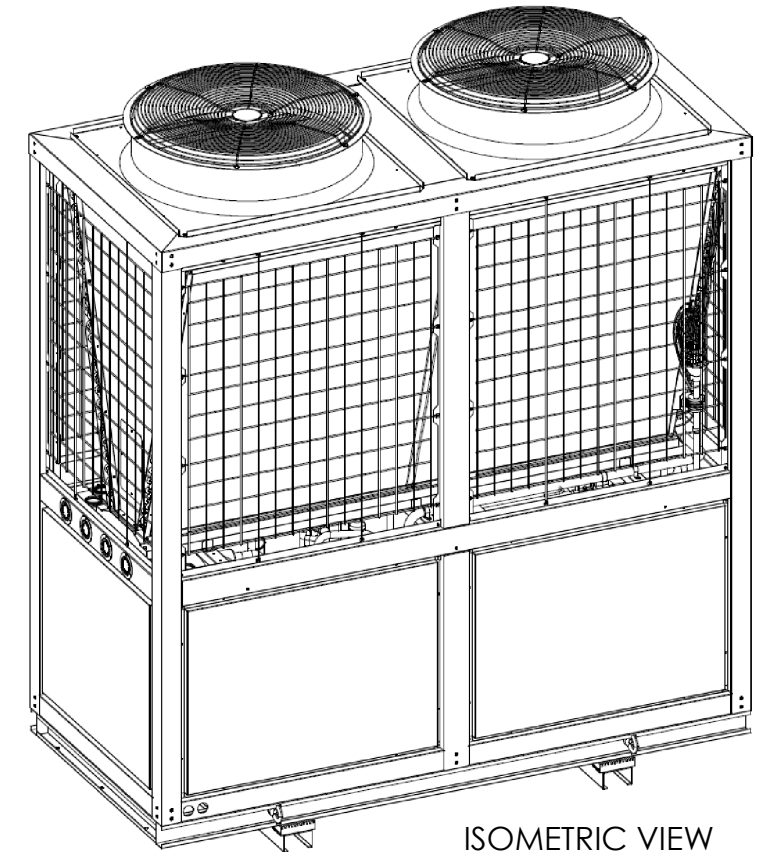


Model Numbers		ccHPWH275-D	ccHPWH550-D	ccHPWH275-S	ccHPWH550-S	
Performance Specifications	Input Power	208-230V/3Ph/60Hz	208-230V/3Ph/60Hz	208-230V/3Ph/60Hz	208-230V/3Ph/60Hz	
	Refrigerant Circuits	2	4	2	4	
	Refrigerant / Quantity	R410A (30.8 Lbs / 15.4 Lbs per circuit)	R410A (61.7 Lbs / 15.4 Lbs per circuit)	R410A (30.8 Lbs / 15.4 Lbs per circuit)	R410A (61.7 Lbs / 15.4 Lbs per circuit)	
	Max H/W Temperature	140°F	140°F	140°F	140°F	
	Dry Bulb Temperature (68°F) Wet Bulb Temperature (59°F) Inlet Water Temperature (59°F) Outlet Water Temperature (131°F)	Heating Capacity (Btu/H)	306,000	637,300	310,800	647,400
		Input Power(kW)	21.4	45.0	20.7	43.1
		COP	4.2	4.15	4.4	4.4
	Dry Bulb Temperature (45°F) Wet Bulb Temperature (43°F) Inlet Water Temperature (48°F) Outlet Water Temperature (131°F)	Heating Capacity (Btu/H)	248,000	516,600	251,900	524,800
		Input Power(kW)	22.0	45.9	21.4	44.6
		COP	3.3	3.3	3.45	3.45
	Dry Bulb Temperature (10°F) Wet Bulb Temperature (7°F) Inlet Water Temperature (43°F) Outlet Water Temperature (131°F)	Heating Capacity (Btu/H)	160,300	333,800	162,800	339,100
		Input Power(kW)	22.4	46.6	21.7	45.2
		COP	2.1	2.1	2.2	2.2
	FLA (A)	106.4	212.8	103.7	204.4	
MCA (A)	134.6	254.4	134.6	254.4		
MOCP (A)	175	300	175	300		
Sound Level (dBA)	≤73	≤75	≤73	≤75		
Water Data	Condenser Type	Double Wall BPX	Double Wall BPX	Single Wall BPX	Single Wall BPX	
	Water Side Pressure Loss (psig)	24.3	24.5	24.3	24.5	
	Rated Water Flow (GPM) (DB/WB:45°F/43°F, Inlet/outlet: 104°F/113°F)	72.6	145.2	72.6	145.2	
	Single pass delta-T (F) (OA_temp=68°F, LWT=131°F)	10.37	10.80	10.53	11.00	
	Piping Position	Rear	Rear	Rear	Rear	
	Piping Sizes	2"(DN50)	3"(DN80)	2"(DN50)	3" (DN80)	
Minimum Ambient Operating Temperature (°F)	-13	-13	-13	-13		
Overall Dimensions [L x W x H] (inches)	81 x 39 x 89	95 x 51 x 89	81 x 39 x 89	95 x 51 x 89		
Net Weight (Lbs)	1,555	2,950	1,555	2,950		

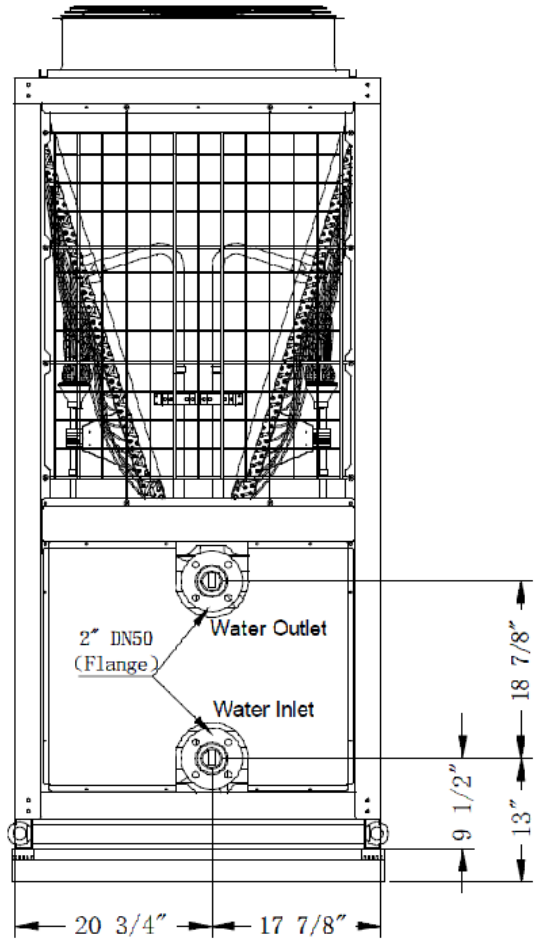
REVISIONS			
REV.	DESCRIPTION	BY	DATE



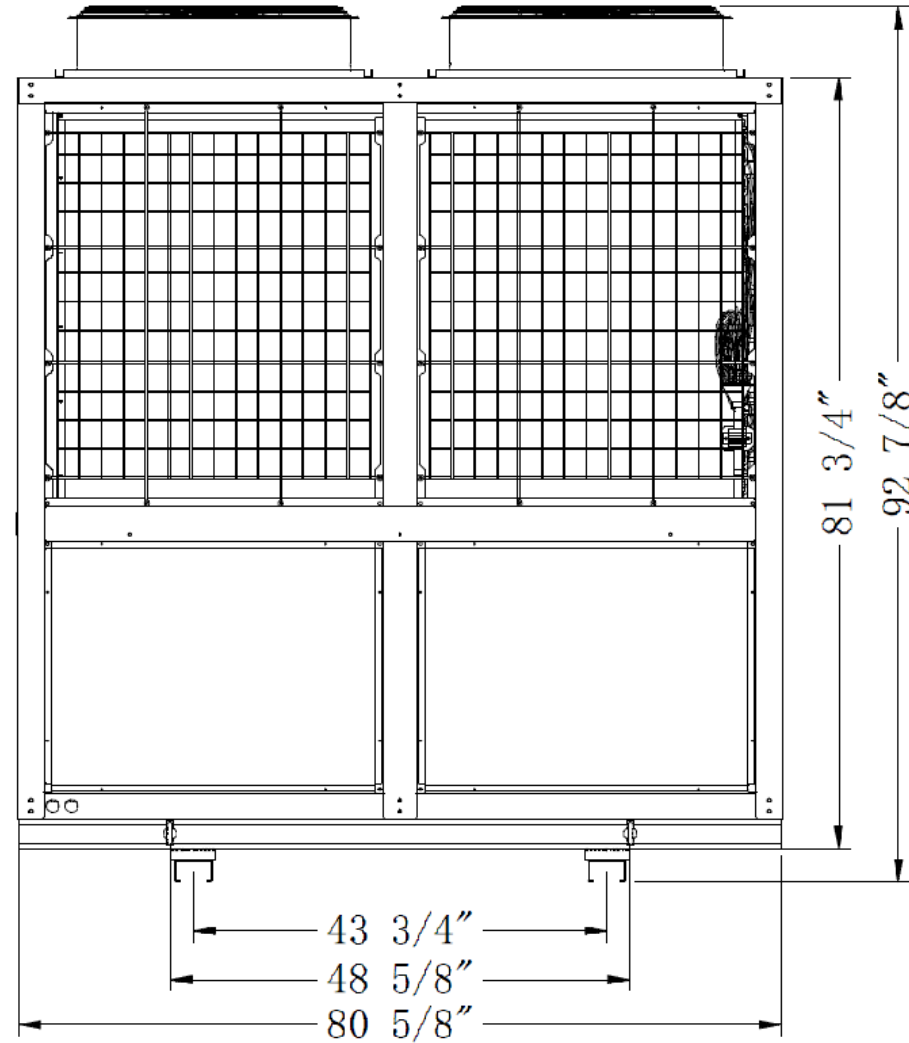
TOP VIEW



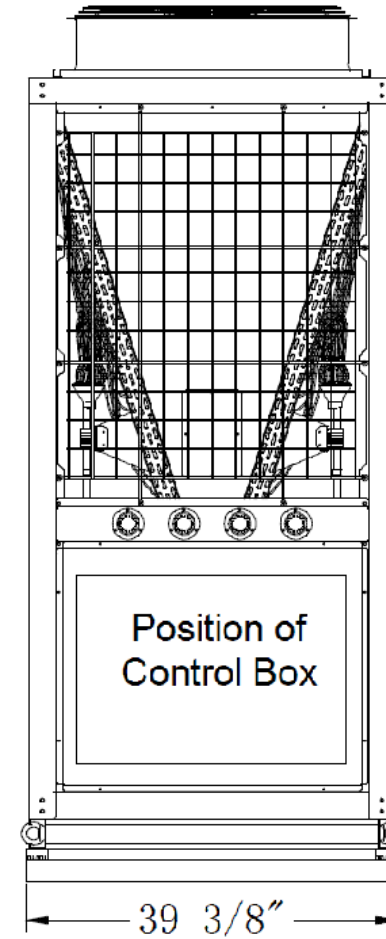
ISOMETRIC VIEW



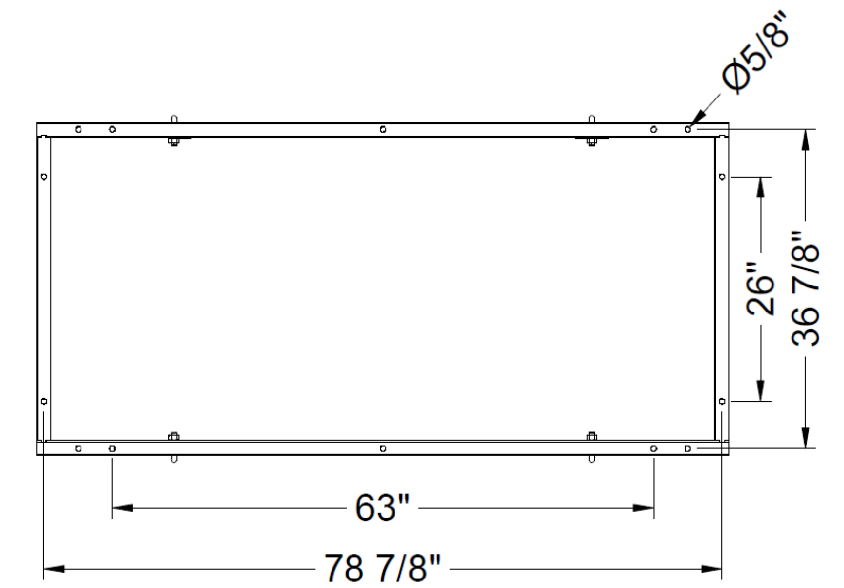
LEFT VIEW



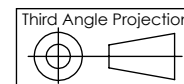
FRONT VIEW



RIGHT VIEW



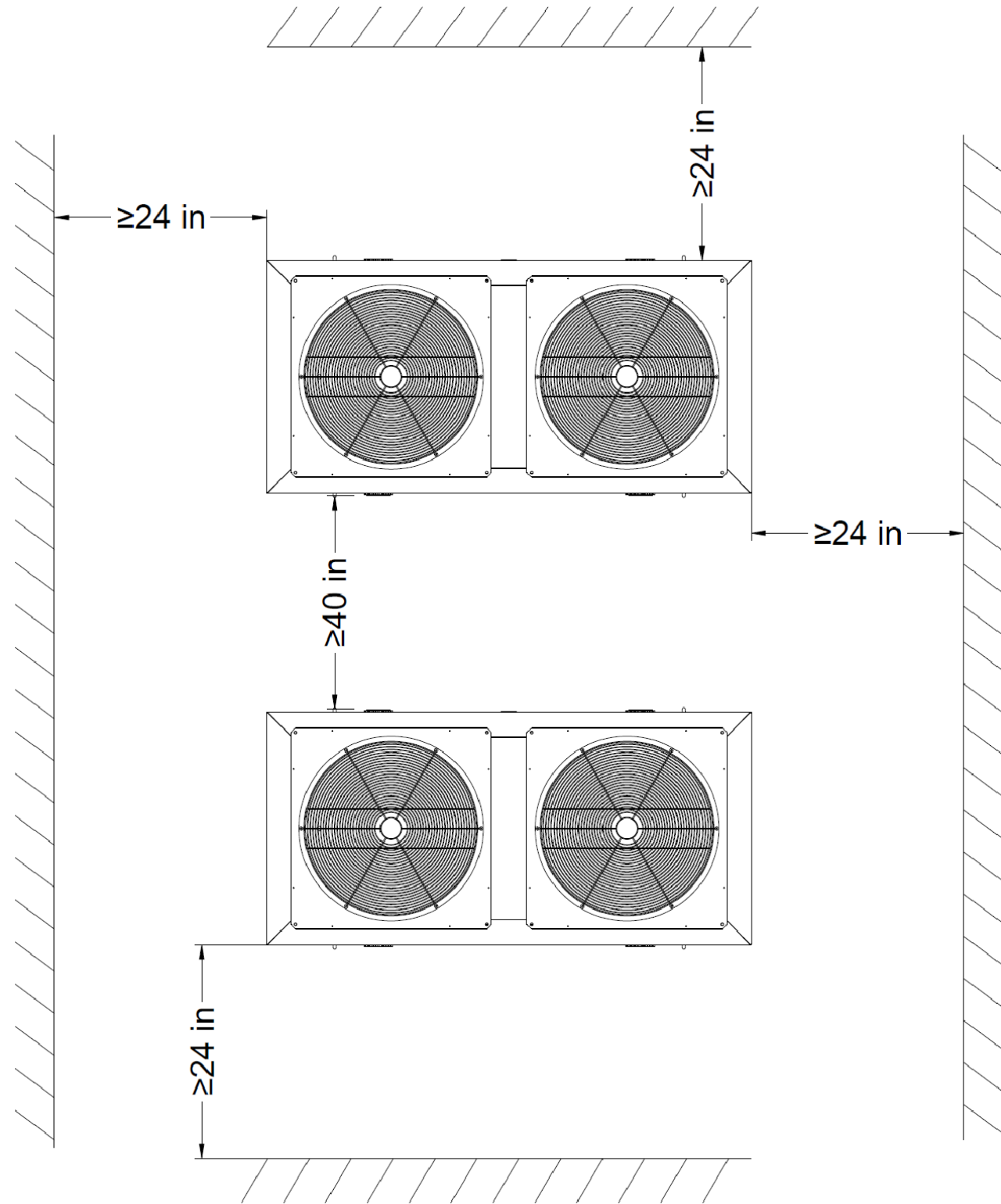
Bottom Mounting Hole Position



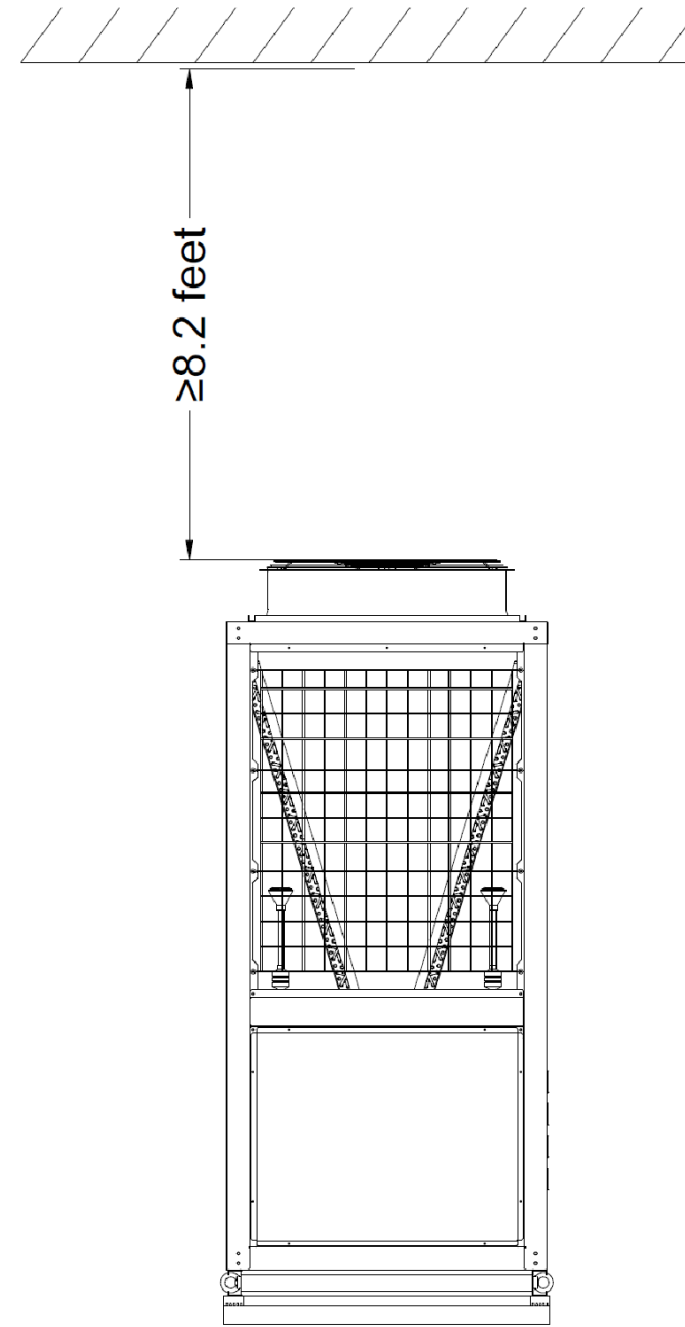
PROPRIETARY AND CONFIDENTIAL
 This drawing is the intellectual property of Ice Air LLC and consists of confidential data belonging solely to Ice Air, LLC. The sharing of this data with you does not constitute a license to share this data with any third party, which is strictly prohibited without Ice Air's prior written consent.

MATERIAL:	ICE-AIR LLC. 80 HARTFORD AVENUE MOUNT VERNON, NY 10553			
WEIGHT (LBS):				
FINISH:	TITLE: cCHPWH275 Dimensional Drawing	MODEL BY: JL	DATE: 11/24/20	DWG. NO. cCHPWH275 DWG
UNLESS OTHERWISE SPECIFIED: DIMENSIONS ARE IN INCHES TOLERANCES: FRACTIONAL ± 1/32 ANGULAR: MACH ± ° BEND ± 1° TWO PLACE DECIMAL ± .03 THREE PLACE DECIMAL ± .015	SIZE B	SCALE: NONE DO NOT SCALE DRAWING	SHEET 1 OF 2	REV

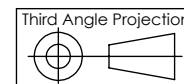
REVISIONS			
REV.	DESCRIPTION	BY	DATE



NOTE MAINTENANCE CLEARANCE: 40 INCHES FROM UNIT TO UNIT



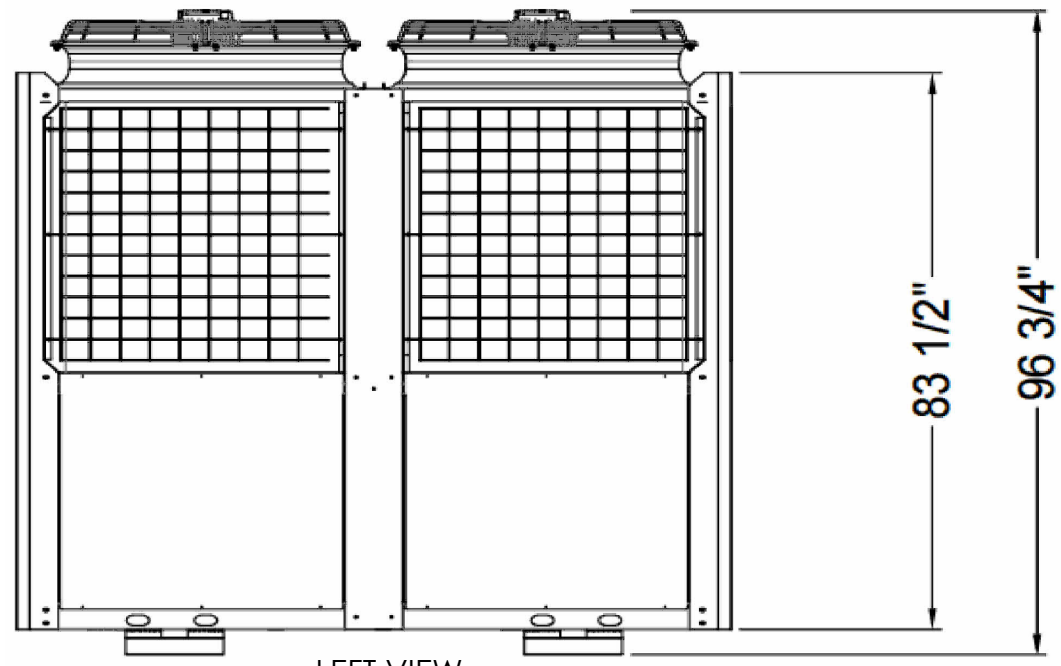
NOTE AIRFLOW CLEARANCE: 8.2 FEET FROM A CEILING



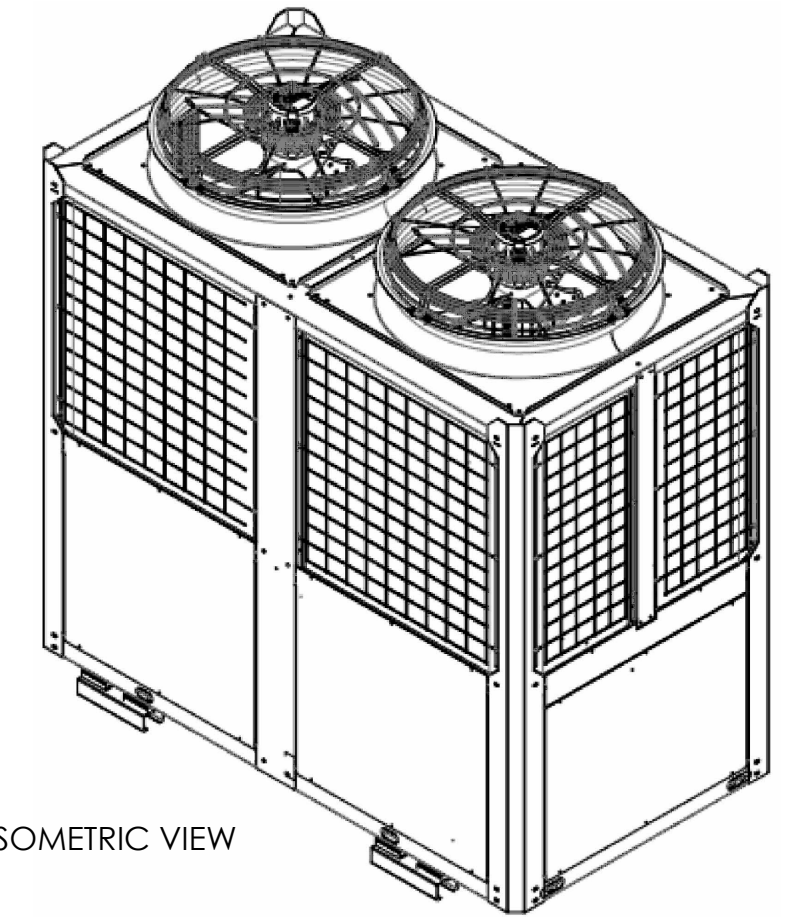
PROPRIETARY AND CONFIDENTIAL
 This drawing is the intellectual property of Ice Air LLC and consists of confidential data belonging solely to Ice Air, LLC. The sharing of this data with you does not constitute a license to share this data with any third party, which is strictly prohibited without Ice Air's prior written consent.

MATERIAL:	ICE-AIR LLC. 80 HARTFORD AVENUE MOUNT VERNON, NY 10553		
WEIGHT (LBS):			
FINISH:	TITLE: cCHPWH275 Dimensional Drawing		
UNLESS OTHERWISE SPECIFIED: DIMENSIONS ARE IN INCHES TOLERANCES: FRACTIONAL $\pm 1/32$ ANGULAR: MACH $\pm \text{ }^\circ$ BEND $\pm 1^\circ$ TWO PLACE DECIMAL $\pm .03$ THREE PLACE DECIMAL $\pm .015$	MODEL BY: JL	DATE: 9/29/21	DWG. NO. cCHPWH275 DWG
	SIZE B	SCALE: NONE DO NOT SCALE DRAWING	SHEET 2 OF 2

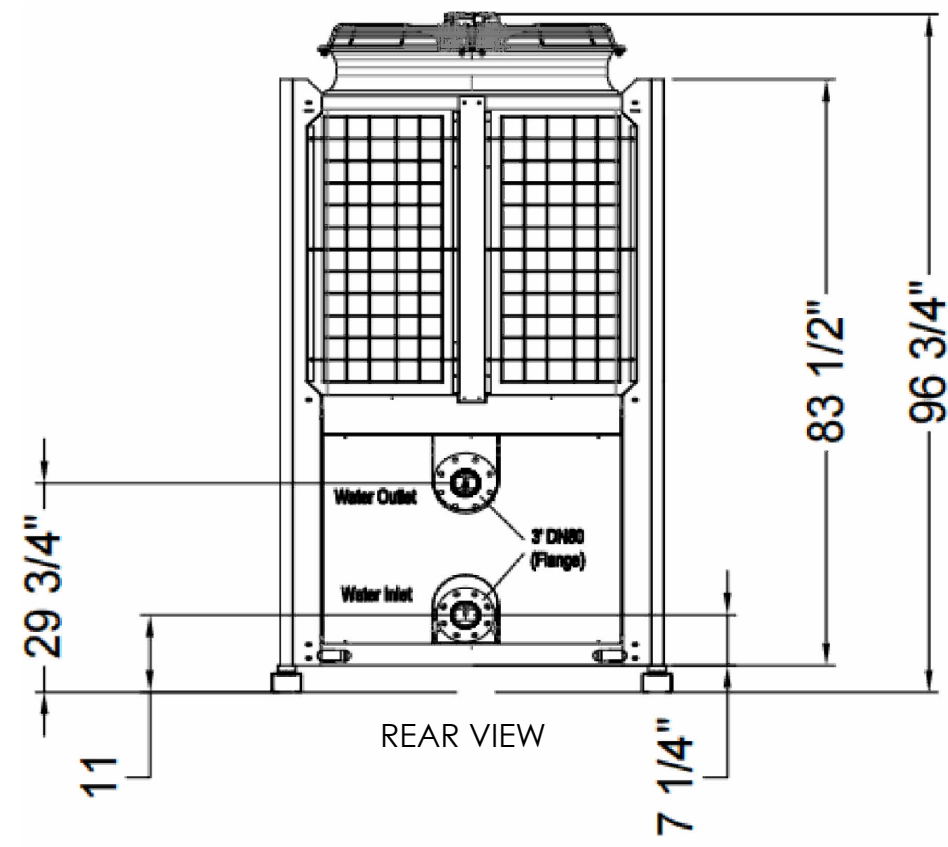
REVISIONS			
REV.	DESCRIPTION	BY	DATE



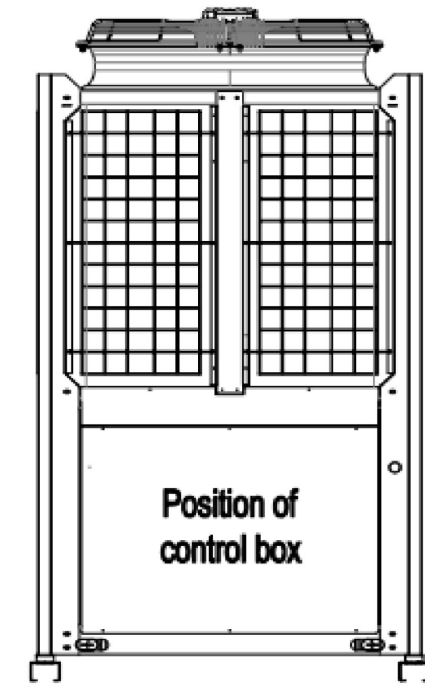
LEFT VIEW



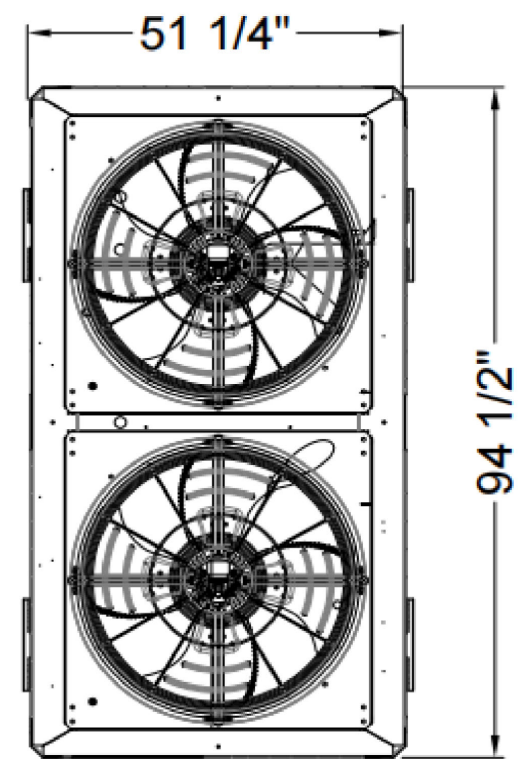
ISOMETRIC VIEW



REAR VIEW



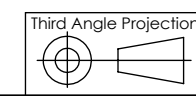
FRONT VIEW



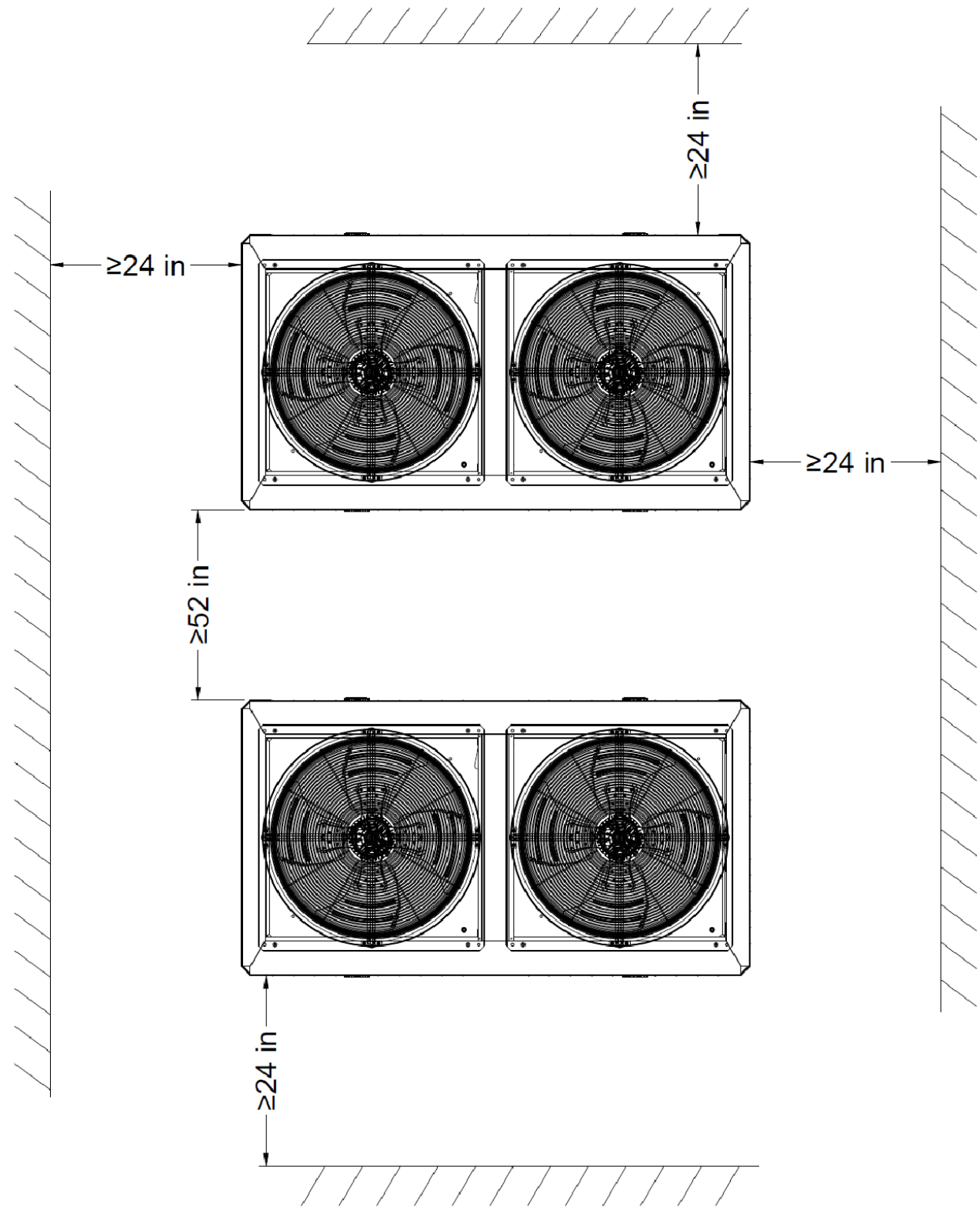
TOP VIEW

MATERIAL:	ICE-AIR LLC. 80 HARTFORD AVENUE MOUNT VERNON, NY 10553			
WEIGHT (LBS):				
FINISH:	TITLE: cCHPWH550 Dimensional Drawing	MODEL BY: JL	DATE: 9/29/21	DWG. NO. cCHPWH550 DWG
UNLESS OTHERWISE SPECIFIED: DIMENSIONS ARE IN INCHES TOLERANCES: FRACTIONAL ± 1/32 ANGULAR: MACH ± ° BEND ± 1° TWO PLACE DECIMAL ± .03 THREE PLACE DECIMAL ± .015	SIZE B	SCALE: NONE DO NOT SCALE DRAWING	SHEET 1 OF 2	REV

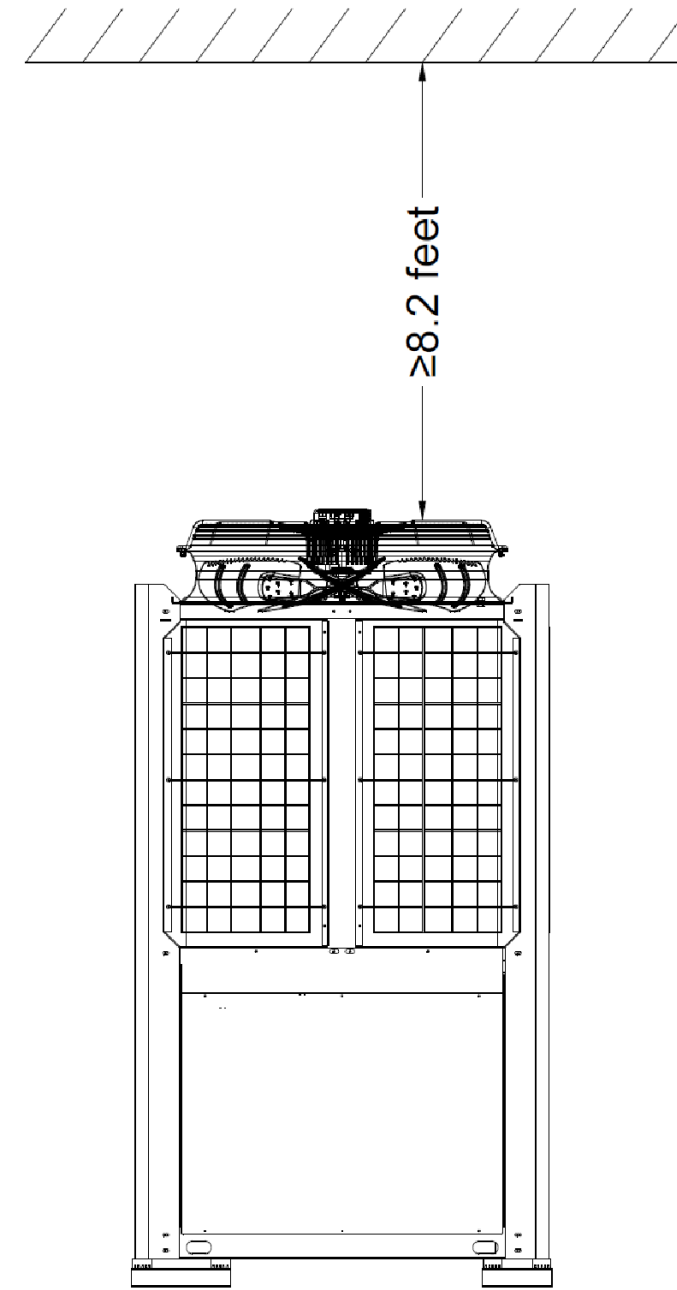
PROPRIETARY AND CONFIDENTIAL
 This drawing is the intellectual property of Ice Air LLC and consists of confidential data belonging solely to Ice Air, LLC. The sharing of this data with you does not constitute a license to share this data with any third party, which is strictly prohibited without Ice Air's prior written consent.



REVISIONS			
REV.	DESCRIPTION	BY	DATE



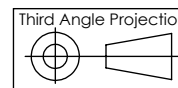
NOTE MAINTENANCE CLEARANCE: 52 INCHES FROM UNIT TO UNIT



NOTE AIRFLOW CLEARANCE: 8.2 FEET FROM A CEILING

MATERIAL:	ICE-AIR LLC. 80 HARTFORD AVENUE MOUNT VERNON, NY 10553		
WEIGHT (LBS):			
FINISH:	TITLE: cCHPWH550 Dimensional Drawing		
UNLESS OTHERWISE SPECIFIED: DIMENSIONS ARE IN INCHES	MODEL BY: JL	DATE: 9/29/21	DWG. NO. cCHPWH550 DWG
TOLERANCES: FRACTIONAL ± 1/32 ANGULAR: MACH ± ° BEND ± 1° TWO PLACE DECIMAL ± .03 THREE PLACE DECIMAL ± .015	SIZE B	SCALE: NONE DO NOT SCALE DRAWING	SHEET 2 OF 2
			REV

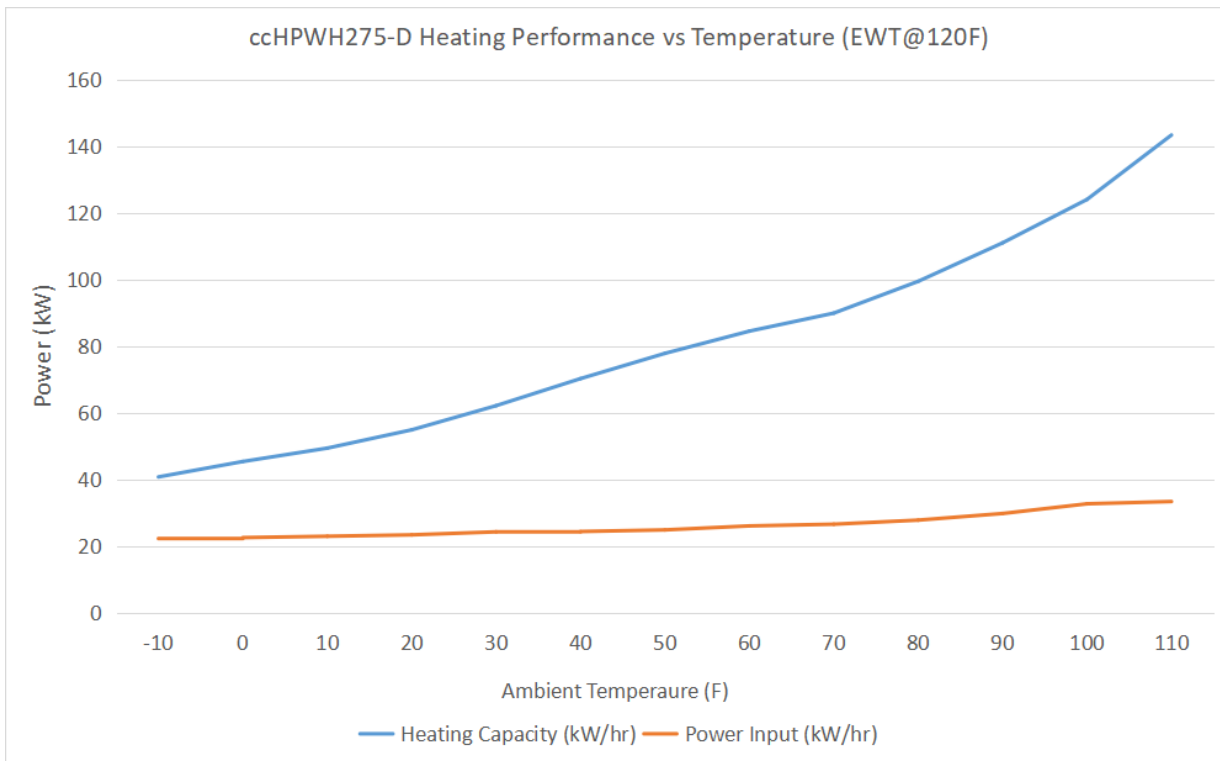
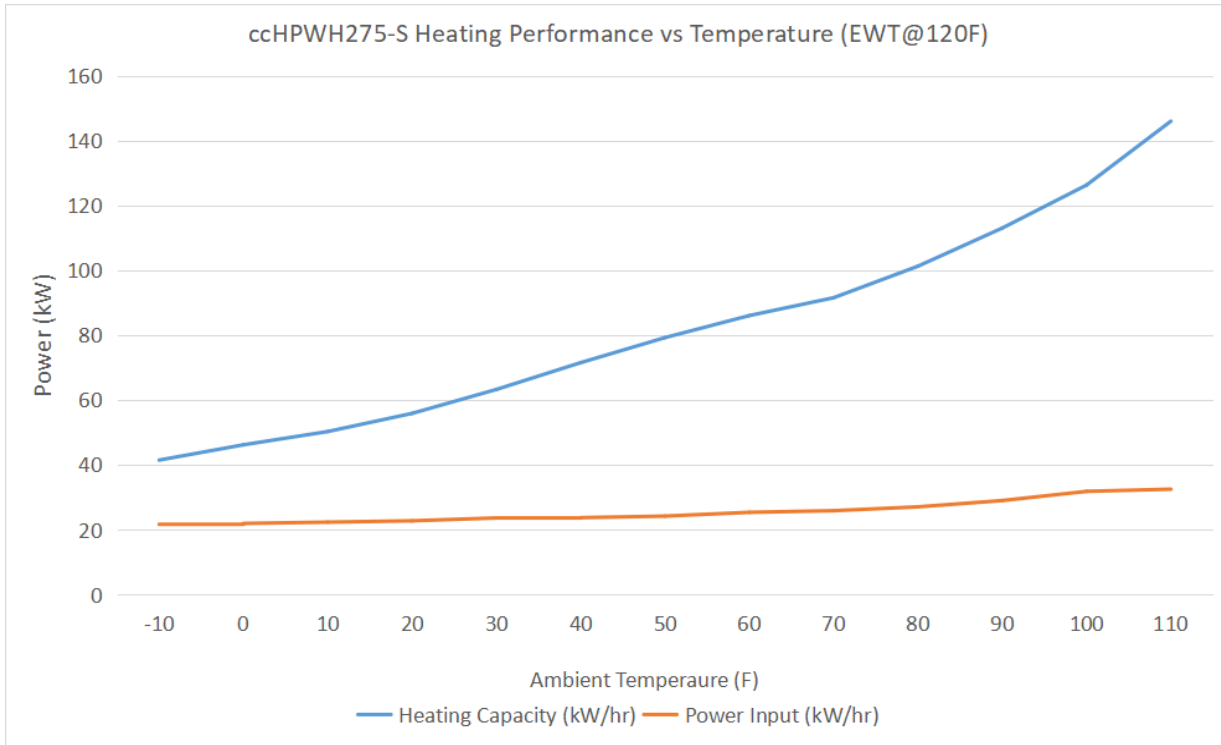
PROPRIETARY AND CONFIDENTIAL
 This drawing is the intellectual property of Ice Air LLC and consists of confidential data belonging solely to Ice Air, LLC. The sharing of this data with you does not constitute a license to share this data with any third party, which is strictly prohibited without Ice Air's prior written consent.



COLD CLIMATE HEAT PUMP DOMESTIC HOT WATER HEATER CERTIFIED DRAWING

DWG. NO.
ccHPWH-Series
REV. - 01

UNIT PERFORMANCE GRAPH



**COLD CLIMATE HEAT PUMP DOMESTIC HOT WATER HEATER
CERTIFIED DRAWING**

DWG. NO.
cCHPWH-Series
REV. - 01

UNIT PERFORMANCE GRAPH

